

# Progressive Industries

Instruction Manual

## Smart Surge Protector (SSP) SSP-30XL & SSP-50XL



SSP-30XL



SSP-50XL

## Instructions

### SPECIFICATIONS:

Model	SSP-30XL	SSP-50XL
Rated:	120V	120/240V
Joule Rating:	825J	1,650J
Surge Amps:	22,500	45,000
Response Time:	<1 Nano Seconds	<1 Nano Seconds

### FEATURES INCLUDE:

- (3) Color LED indicator lights
- Weather resistant
- Dual line polarity tester (SSP-50XL only)
- Pull handle on plug
- Limited lifetime warranty
- It's portable, just plug it in

### INSTALL STEPS:

**STEP 1:** Plug Smart Surge Protector into AC power. DO NOT plug in your RV at this time. Verify GREEN surge indicator LED(s) is on.

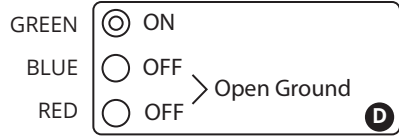
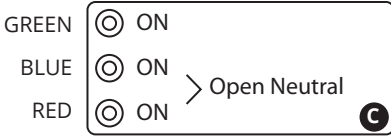
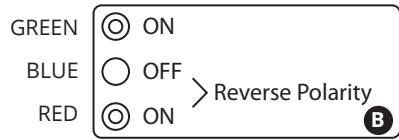
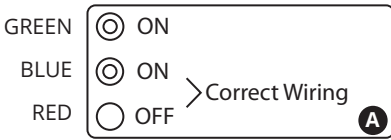
**STEP 2:** Verify which LED's come on.

- A** The **Correct Wiring** condition occurs when both the GREEN and BLUE LED's are on. If this does not occur you may be experiencing one of the other three (3) wiring conditions as noted in the diagrams:
- B** Reverse Polarity
- C** Open Neutral
- D** Open Ground

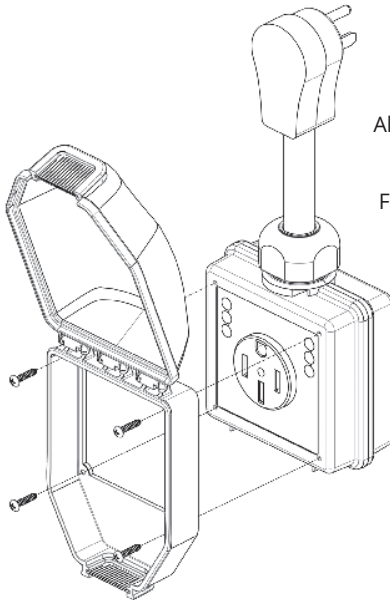
Your Smart Surge Protector will continue to work during any of the wiring conditions; however, only the Correct Wiring condition (both GREEN & BLUE LED's on) is optimal and any other wiring condition should be corrected by Campground Maintenance before use.

**STEP 3:** Plug in your RV power to the Smart Surge Protector Refer to STEP 2 above for surge protection wiring conditions.

**LED INDICATORS:**



Note: Green light indicates surge protection is active.



**SSP-50XL & SSP30XL**

All weather shield assembly installation diagram

Four (4) screws included in the hardward kit

**Warning**

- RV wiring is different than house wiring. In an RV, neutral and ground conductors are isolated whereas in a house they are bonded at the service panel. Therefore; never connect neutral and ground as this can result in a ground fault condition, electric shock, and/or a fire hazard.
- Do not exceed the electrical rating on the unit for any reason.

*Continued on next page*

- Do not modify the unit in any way as this will void the warranty, could harm you and/or your RV electrical system and electrical equipment or compromise protection.
- When running an extension cord from the RV to the AC power source always use a 6/4 AWG or 6/3 + 8/1 AWG cable for your 240 Volt, 50 Amp device or a 10/3 AWG cable for your 120 Volt, 30 Amp device. Ensure your cable is rated for outdoor use and we recommend the length not to exceed 25'. Taking these preventative measures can help to reduce the risk of electrical shock and/or fire.
- NEVER plug the unit into an inverter. This unit can be used with inverter-generators.
- Unit must be used in an upright vertical orientation. Unit should not be placed on the ground or submerged in water.

### Maintenance Warning

- Before each use, examine the plug and receptacle of the unit, the male plug of the RV power cord, and the receptacle on the AC power source. Look for signs of discoloration which indicates overheating.
- If any connection shows signs of overheating, replace both mating parts immediately.
- Carefully follow the wiring instructions supplied with all replacement devices to ensure proper operation.
- If the unit shows signs of water intrusion or excess moisture, discontinue use immediately.

### Progressive Industries, Inc.

For more information regarding the Limited Lifetime Warranty, Troubleshooting and the Warranty Claim Form visit:

[www.progressiveindustries.net](http://www.progressiveindustries.net)

Note: Lifetime warranty excludes All Weather Shield assembly.

### Technical Support

---

- **800.307.6702**
- [Tech@progressiveindustries.net](mailto:Tech@progressiveindustries.net)